

deffner & Johann

Supplies for RESTORATION | CONSERVATION | ART HANDLING – SINCE 1880

TECHNICAL DATA SHEET

info@deffner-johann.de | +49 9723 9350-0

Die in diesem Produktdatenblatt genannten Spezifikationen dienen nur zur Produktbeschreibung und beziehen sich auf den Zeitpunkt unmittelbar nach der Produktion bzw. Import des Produktes. Sie entsprechen den Angaben des Herstellers. Eine rechtsverbindliche Zusicherung bestimmter Eigenschaften oder der Eignung für einen bestimmten Einsatzzweck kann hieraus nicht abgeleitet werden. Durch unsachgemäßen Transport und / oder unsachgemäße Lagerung können sich Änderungen ergeben. Die Angaben in diesem Produktdatenblatt entbinden den Verarbeiter nicht von eigener Prüfung der Eigenschaften des Produktes und dessen Eignung für die vorgesehene Verwendung.

MT MUNTZ TECHNICS

SPECIALIST BLOWVAC MANUFACTURERS

Since 1970



Muntz Rescotronic 1100 HEPA

TECHNICAL SPECIFICATIONS

Voltage	100V/120V/220-240V 50/60 Hz versions
Motor power	1000W \pm 10%
Housing	PP material
Max. suction power	210 mbar
Max. airflow	45 litres/sec
Max. Noise level	Approx. 64 db
Weight (appliance only)	6 kg
Dimensions	39 x 34 x 42,5 cm (LxWxH)
Diameter accessories	32 mm
Detachable cordset	Length 10 meters
Working humidity	5 - 90%
Working temperature	-5 - 45°C
IP class	IP33

Manufactured in The Netherlands to European Community

Standards:

2014/35/EU Low Voltage Directive

2014/30/EU EMC Directive



WARNING!

When using an electrical appliance, basic precautions should always be followed, including the following: **READ ALL INSTRUCTIONS BEFORE USING THIS APPLIANCE !**

- When cleaning or servicing equipment, make sure it itself is switched-OFF and unplugged from outlet.
- Switch off appliance with ON-OFF switch only.
Appliance is made for indoor use, must be stored in a dry place and may not be operated under wet conditions or on wet floors/surfaces. Never touch the appliance or the plug with wet hands.
- This appliance is not designed, nor suitable to collect liquids.
- Do not: pull or carry the appliance by cord, use cord as a handle, close a door on cord or pull cord around sharp edges or corners. Keep cord away from hot surfaces. Never use appliance with damaged cord or plug. Never leave appliance plugged-in when left unattended.
- If the appliance is not operating properly, has been damaged, left outdoors or dropped in water, contact your supplier and return unit.
- Never use appliance if suction is blocked, with completely restricted airflow or blocked air exit.

- Do not allow children to operate this appliance. It is not a toy !
- Keep hair, fingers, body parts, loose clothing and all foreign object(s) away from openings and moving parts. Do not look into air inlet or exit with running motor !
- Do not operate appliance near flammable or combustible liquids or fumes. Do not collect anything that is hot, smoking or burning. Do not pick up burning cigarettes, hot ashes or matches.
- **When using the blower function, use safety glasses and facial mask ! Never blow in corners and/or in the direction of sharp objects e.g., staples, needles, pins or glass fragments.**
- Never use appliance without a filter bag and motor-/exit filters in place. Never re-use filter bags !
- Repairs must only be performed by an authorized service agent in accordance with national and local safety regulations. Repairs by unqualified persons could be dangerous. The manufacturer cannot be held responsible for unauthorized work.
- **Exit filter may become hot when airflow of the appliance is restricted !**

OPERATING INSTRUCTIONS

Truly versatile museum BlowVac with advanced Hi-filtration system and special vacuum power regulation for professional dust removal from hard to reach places. Ideal for use in conservation workshops, museums, archives and libraries.

Instructions for vacuuming:

1. Firmly press air exit filter onto steel exit tube.
2. Press/twist lock hose end clockwise into inlet, aligning the arrow on the hose end with the top of the inlet (6 Fig. 3).
3. Cleaning modes:
 - 3.1. For detailed cleaning work, push a vacuum attachment (with or without metal extension tubes) onto the free hose end.
 - 3.2. For cleaning floors, walls and ceilings connect bend handle, extension tubes and brush/floor nozzle onto the free hose end.
4. Press ON-OFF switch in "OFF" position.
Insert plug into electrical outlet and turn on appliance by ON-OFF switch in "ON" position.

Operating instructions using blower function:

1. **Firmly press and twist hose end of the blow assembly onto air exit metal tube.**
2. Press ON-OFF switch in "OFF" position.
Insert plug into electrical outlet and turn on appliance by pressing ON-OFF switch in "ON" position.

CAUTION: Use safety glasses and facial mask when using the blower function!!

MAINTENANCE

Replacing the filter bag:

1. Switch-OFF appliance and unplug from outlet.
2. Release both hasp locks (1 Fig.1) and remove top section (2+3 Fig.2).
3. Disconnect hose by turning hose end (4 Fig.3) counter clockwise.
4. Remove filter bag by pulling the cardboard (7 Fig.4) out of the slots and dispose of it.
5. Place new filter bag by pressing the cardboard (7 Fig.4) into the designated slots.
6. Place top section back onto base and make sure its properly aligned.
7. Reconnect hose by turning hose end (5 Fig.3) clockwise into the housing, aligning the arrow from the hose end with the top of the opening (6 Fig.3).

Replacing the HEPA MT-853 motor filter:

1. Switch-OFF appliance and unplug from outlet.
2. Release hasp locks (1 Fig.1) and remove top section (2+3 Fig.2).
3. Remove the motor filter by removing it's white bottom screw (8 Fig.5).
4. Place new motor filter (3 Fig.5) and secure it (8 Fig.5).

Replacing the HEPA MT-857/ULPA MT-858 exit filter:

1. Switch-OFF appliance and unplug from outlet.
2. Pull off used exit filter and push on a new one.

NOTE: Use of motor and exit filter combination is to be recorded on the tick box sticker (100 hrs) present on top of exit filter.

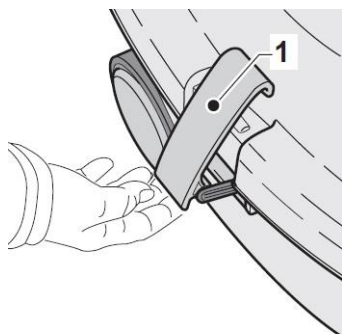


Fig. 1

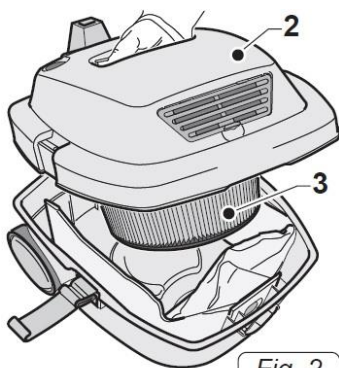


Fig. 2

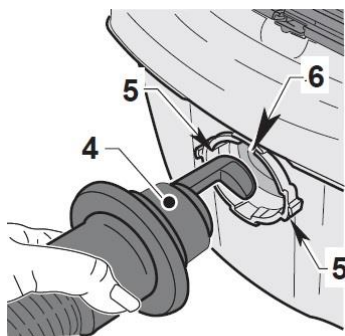


Fig. 3

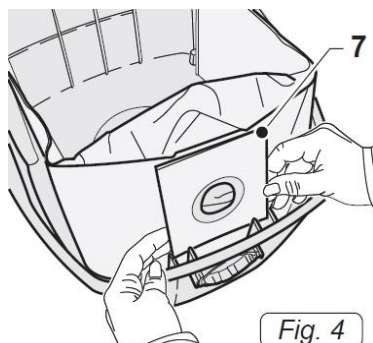


Fig. 4

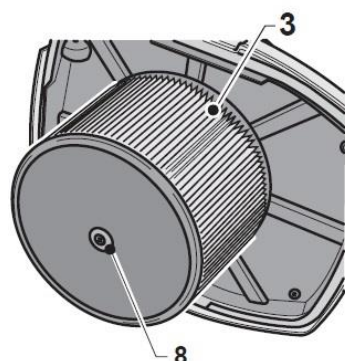


Fig. 5

ATTENTION: Never use appliance without filter bag and motor-/exit filters in place. Never re-use filter bags. Failure to carry out necessary periodic maintenance can significantly reduce the lifespan of your appliance!

TROUBLE SHOOTING

Appliance shuts down when in use / will not start:

1. Check whether cordset is properly connected and not damaged.
2. This appliance is equipped with thermal protection to prevent overheating. Motor will switch off automatically when inadequate air is fed through the appliance, cooling the motor.

With activated protection, please take following action;

- 2.1. Switch appliance to “OFF” and unplug from your power outlet.
- 2.2. Replace filter bag.
- 2.3. Inspect motor and exit filter. Replace if clogged.
- 2.4. Check for blockages in hose and/or nozzles.
- 2.5. Use less air restrictive nozzles or use them at an increased distance from object to be cleaned.
- 2.6. Reduce power setting (electronic version).

With motor sufficiently cooled down, appliance allows restart after 15 – 20 minutes.

Loss of suction power/ blow pressure:

1. Switch appliance to “OFF” and unplug from your outlet.
2. Check for blockages in hose and/or nozzles.
3. Replace filter bag.
4. Inspect motor and exit filter. Replace if clogged.

NOTE: If appliance is still not working properly please contact your supplier and return unit.

Muntz Technics B.V. limited guarantee:

Muntz Technics B.V. (MT) manufactured appliances come with a limited guarantee of 12 months from the time of purchase (appliance production date). Guarantee is limited to poor workmanship and material defects. MT will either repair or replace the defective product.

The above warranty shall not apply to any MT appliance that has been modified, or has been damaged by negligence, misuse, accident, failure to follow the MT user manual. Wear and tear parts as e.g., hoses, accessories and cordset, are not covered by above warranty.